



UGP100114

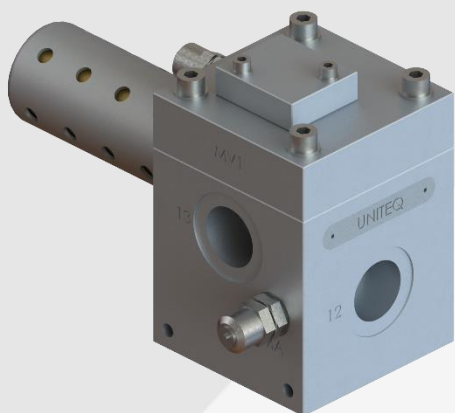
UNITEQ BV

Oude Graaf 18, 6002 NL, Netherlands
T. +31 495 52 45 65
E. sales@uniteq.nl

Version 2024.v01 EN

Pneumatic manifold G1-1xNC Lock-up

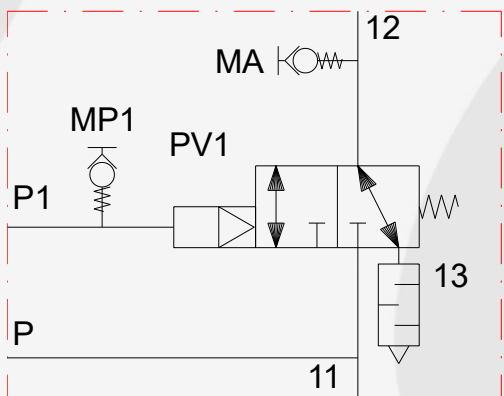
Image



Technical features

- Suitable for single acting (SA) actuator
- Fail safe open/close function by air loss
- Modulating MO or open close O/C function
- SIL2 certified according to IEC 61508
- Operation pressure 0...10 bar (0...145psi)
- Operation temperature -25°C -13°F / +70°C +158°F
- Supplied medium air, filtered non-lubricated and dry
- Equipped with prepared lock-up valve connection (P/P1)
- ATEX implementation suitable

Symbol



Technical data

Sizes & selection

Port size		P/P1	Max flow ltr/min	CV	(kg)	Model
11/12	13					
G1	G1	G1/4	8.000	...	3,8	UGP100114

Configuration

Function: MO or O/C

Connections

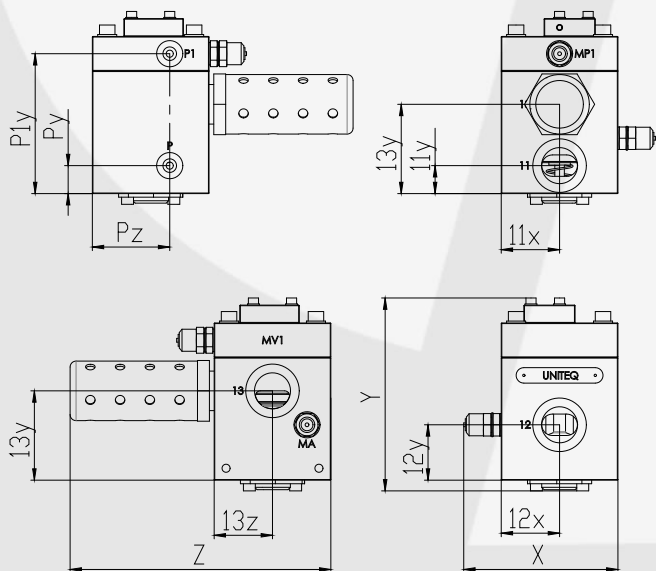
Port (11): main supply connection
 Port (P/P1): external supply pilot valve
 Port (12): supply to actuating release
 Port (13): release
 MA/MP1: measurement connection

Order codes:

UGP100114

Drawing

Sizes



Dimensions

11	12	13	P1	MA	MP1	11x
G1	G1	G1	G1/4	G1/4	G1/4	49
Pz	P1y	Py	13y	12y	11y	12x
65	116	24	75	47	24	49
13z	X	Y	Z			
49	130	162	219			

Support connection manifold

2 times holes M8, depth 12mm

Material

Housing: Aluminium anodize
 Internal parts: Stainless steel, Brass, POM
 Seals: NBR / PUR